

ATLAS BIG F PRO

MAINTENANCE PROCEDURE

Installation Procedure

Atlas Filtri BIG F PRO systems has 1" BSPP plumbing connections (Inlet 1" BSPP female, Outlet 1" BSPP male).

1. Remove the flexible hose from its seat inside the cardboard protection.
2. Before attempting installation, check that the UV lamp and its quartz sleeve are intact inside their respective packaging.
3. Locate a suitable position for the BIG F PRO system remembering to allow 120mm under the housings and at least a chamber length space above the unit for removal of the lamp and sleeve. A power outlet with residual current protection is required.

You can choose the direction of the water flow through the unit, depending on whether you have water inlet from the left (default setting) or from the right. To reverse the direction of flow, unscrew the filter housings, the UV System, the earthing and the power supply box, reassemble all the components removed so that the UV chamber is on the left, the filter housing inlet on the right and the UV lamp controller is slightly to the left. Re-fit the gauges.

N.B. The water MUST always pass through the Filter Housings BEFORE the UV unit.

4. Atlas Filtri BIG F PRO systems have 3 mounting holes at the rear of the mounting bracket. Use the mounting holes to mark the desired position on the wall where the fixings are required to go.
5. Drill the holes and install the anchors (fixing anchors not included).
6. Position the mounting bracket on the wall. Insert and tighten the fixings to hold the system securely to the wall.

Note: The outlet is always on the UV side of the system.

7. Turn off the water mains.
8. Plumb inlet and outlet pipework to the Atlas Filtri BIG F PRO unit. The inlet is a 1" BSPP female and the outlet is a 1" BSPP male.
9. Connect the brass nipple to the outlet of the housing; PTFE sealant tape (not included). In case of leakage of water add some more sealant tape and/or screw more tightly.
10. Connect the manometers applying some PTFE sealant tape (not included) to the thread and screw them on tightly, but without over-tightening, into the 1/8" threaded ports on the top of the head; at product start-up, in case of leakage of water add some more sealing tape and/or screw more tightly.

11. Connect the flexible hose to the brass nipple and to the inlet of the UV chamber using the supplied gaskets.

12. ASSEMBLY OPERATIONS:

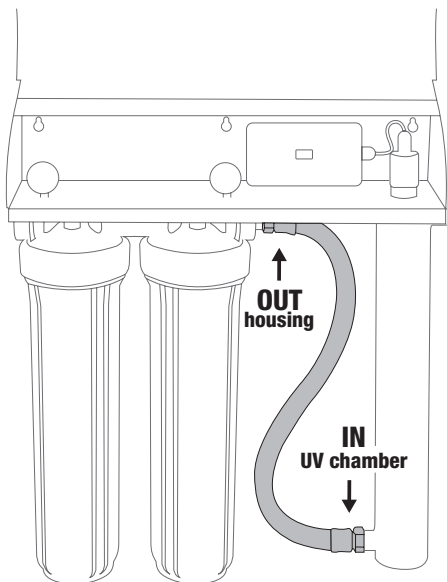
- A. Open the cover. Remove the lamp connector from the top nut, disconnecting the ground wire and unscrew the black sleeve bolt. **Warning: pay attention to the blue gasket inside.**
- B. Insert the quartz sleeve carefully centering the seat at the bottom plate of the UV chamber.
- C. Insert the o-ring into the quartz sleeve.
- D. Tighten the sleeve bolt and insert the spring into the quartz tube by dropping it into the chamber.
- E. Slowly insert UV lamp into the quartz sleeve.
- F. Connect the lamp connector to the pins on the lamp.
- G. Place the ground wire in the appropriate seat of the black bolt.
- H. Push the black cap on the black bolt and turn it clock wise to lock it. Connect again the ground wire to the frame.

Use gloves to handle the quartz (glass) and lamp surface as marks or fingerprints may interfere with UV transmission. If lamp is soiled, please clean lamp with an alcohol based cleaner.

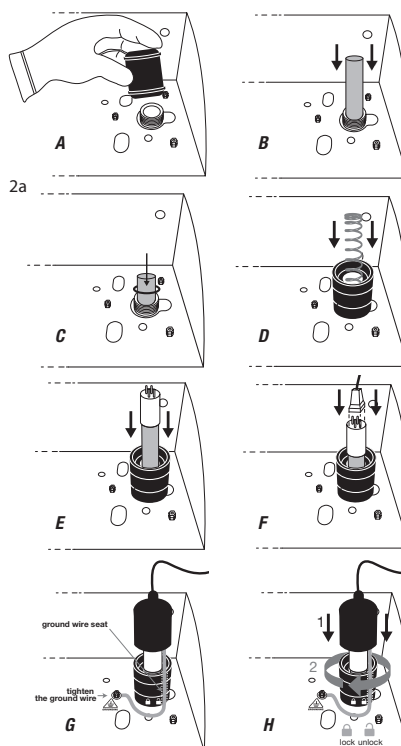
13. Use the filter housing spanner to tighten filter bowls until firm. DO NOT OVER TIGHTEN.
14. Turn the water on, let the water flow through – opening a tap downstream to flush the unit for 5 minutes at least. Then check the system thoroughly for leaks.
15. Turn the power on and ensure that the lamp is operating (see lamp ballast operation chapter)
16. Close and lock the cover. Note: Your cabinet comes with 1 key for your convenience. Please store it safely.



BIG F PRO
IT'S MADE IN ITALY



Lamp Replacement



Filter Cartridge Replacement

